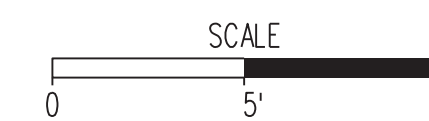


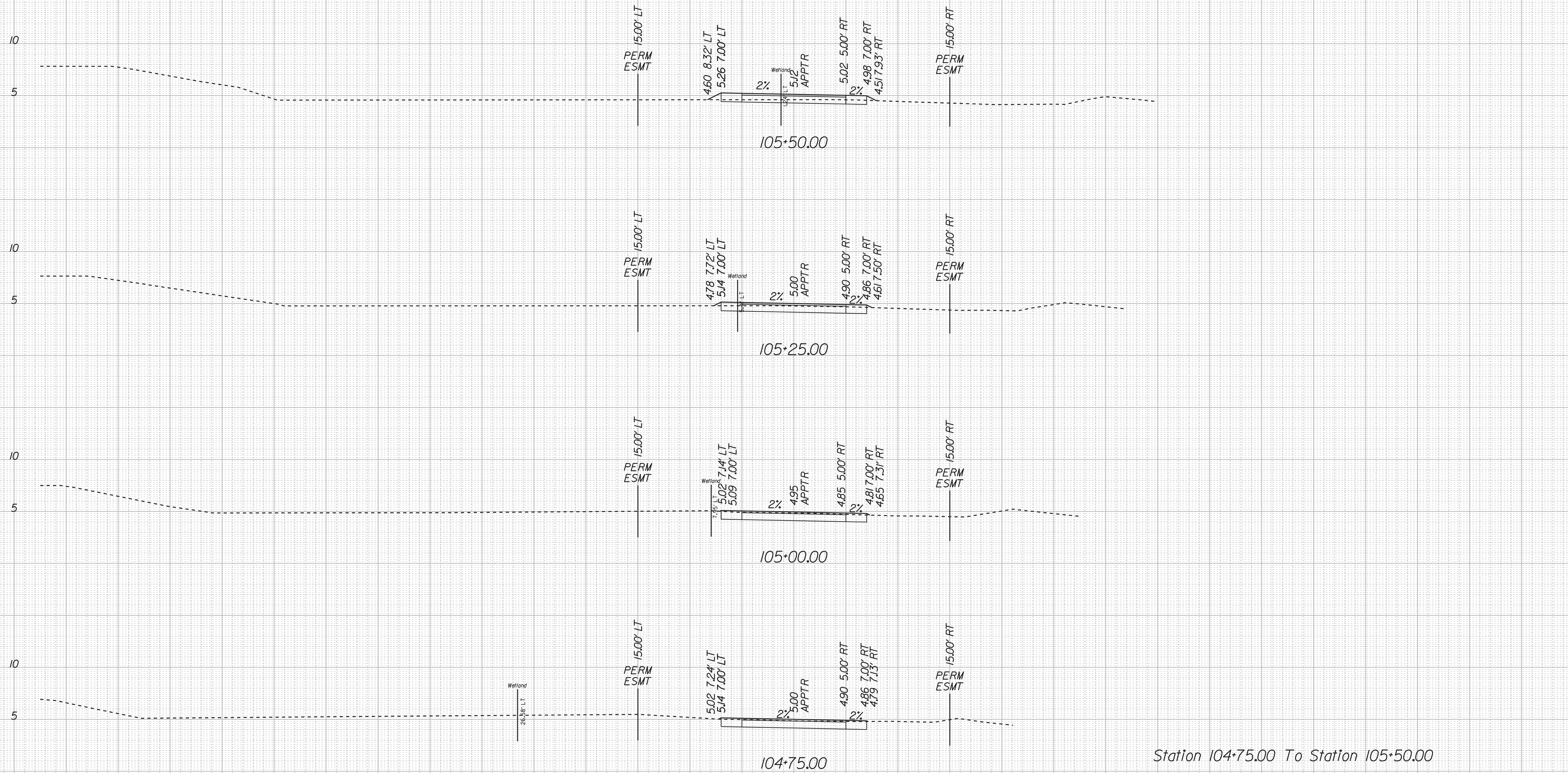
UNSUITABLE SOIL UNDERCUT

CROSS SECTIONS

SCALE 1 IN. = 5 FT



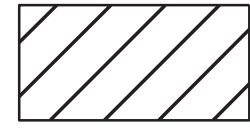
APPOMATTOX TRAIL



Station 104+75.00 To Station 105+50.00

5/18/2023 I:\Projects\1500761-200-Appomattox Trail Phase 5\CAD\075333\Sheets\0753301_A.dgn

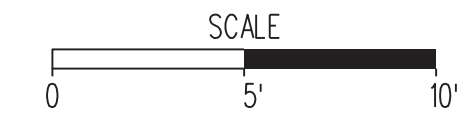
PROJECT NAME	SHEET NO.
107533	5



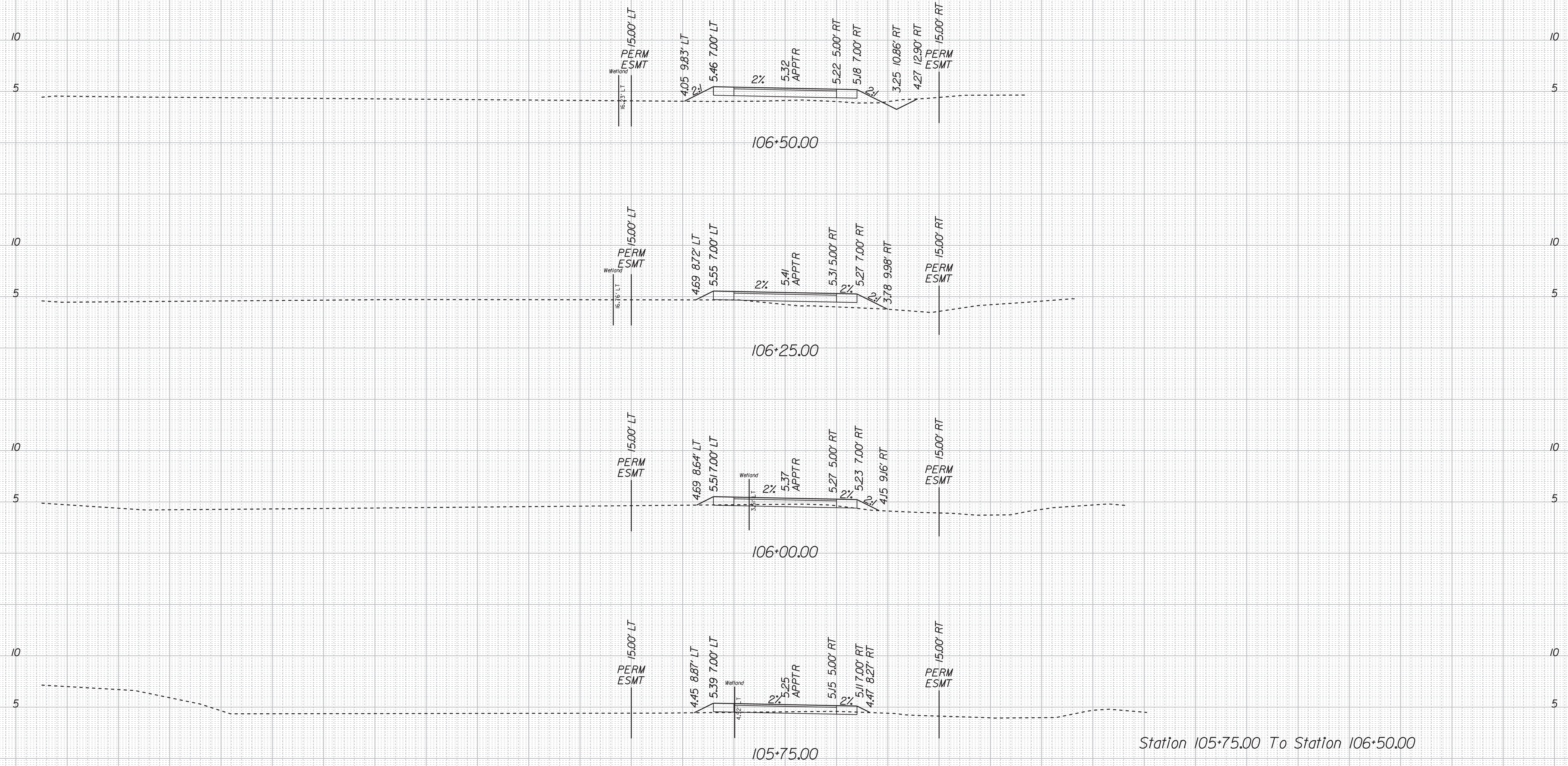
UNSUITABLE SOIL UNDERCUT

CROSS SECTIONS

SCALE 1 IN. = 5 FT



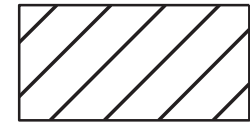
APPOMATTOX TRAIL



Station 105+75.00 To Station 106+50.00

5/18/2023 I:\Projects\500761-200-Appomattox Trail Phase 5\CAD\075333\Sheets\0753301_A.dgn

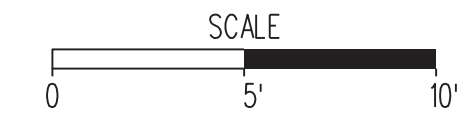
PROJECT NAME	SHEET NO.
107533	6



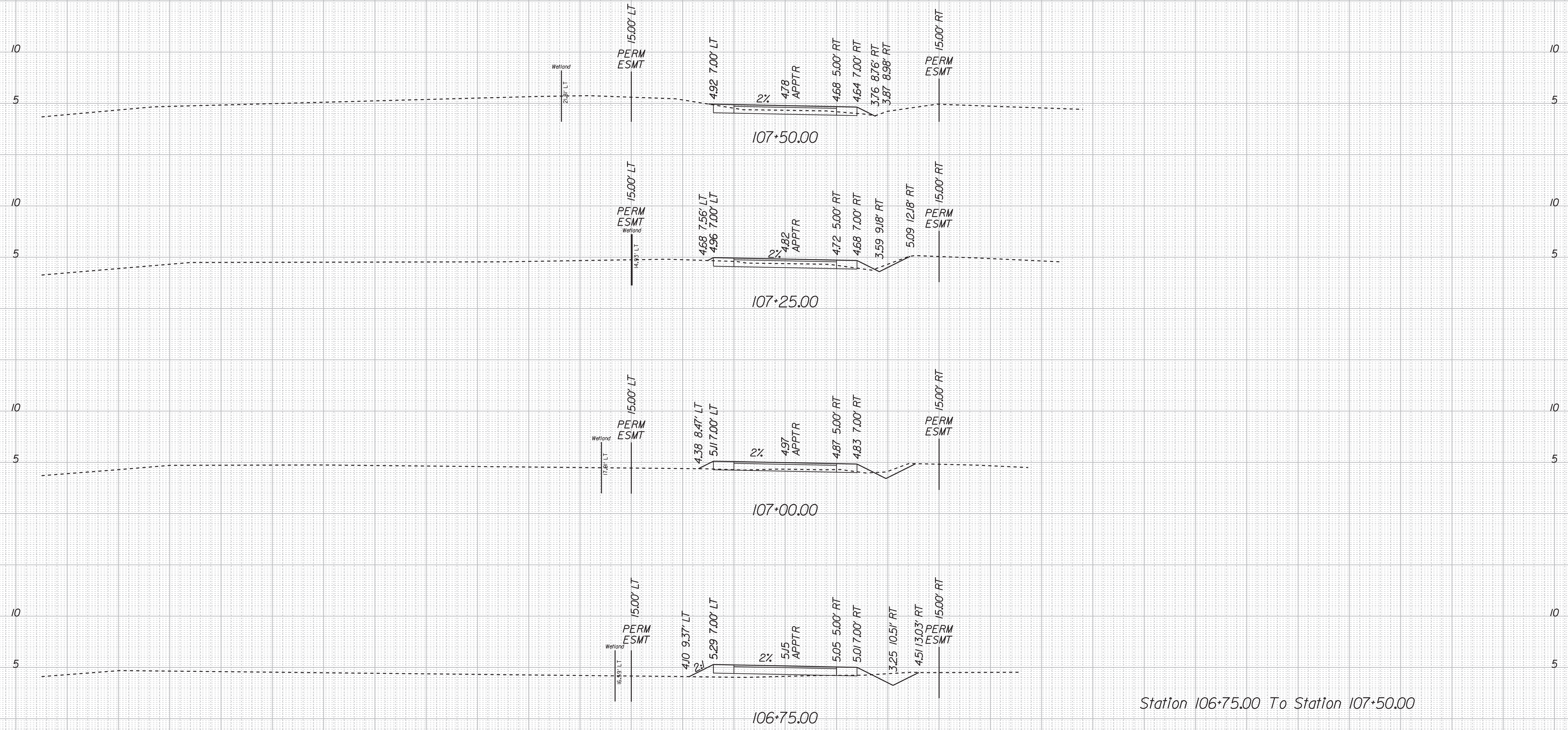
UNSUITABLE SOIL UNDERCUT

CROSS SECTIONS

SCALE 1 IN. = 5 FT



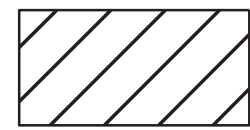
APPOMATTOX TRAIL



Station 106+75.00 To Station 107+50.00

5/18/2023 I:\Projects\1500761-200-Appomattox Trail Phase 5\CAD\075333\Sheets\0753301_A.dgn

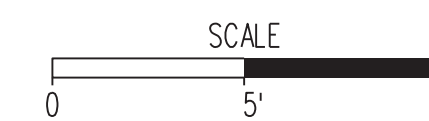
PROJECT NAME 107533	SHEET NO. 7
------------------------	----------------



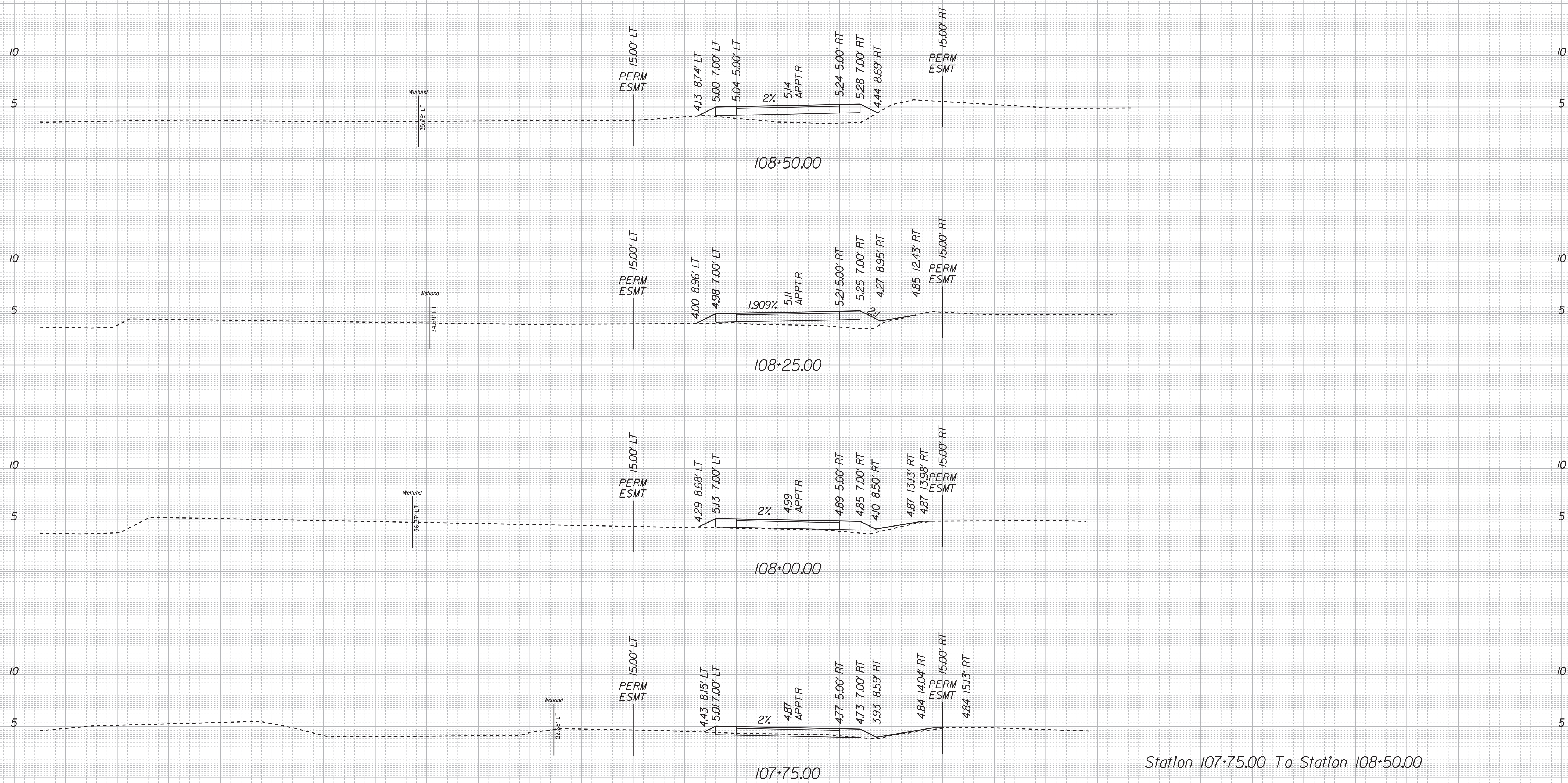
UNSUITABLE SOIL UNDERCUT

CROSS SECTIONS

SCALE 1 IN. = 5 FT



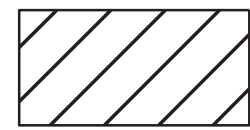
APPOMATTOX TRAIL



Station 107+75.00 To Station 108+50.00

5/18/2023
I:\Projects\1500761-200-Appomattox Trail Phase 5\CAD\075333\Sheets\0753301_A.dgn

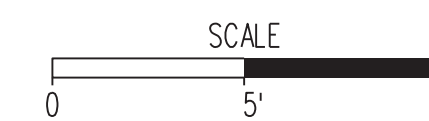
PROJECT NAME	SHEET NO.
107533	8



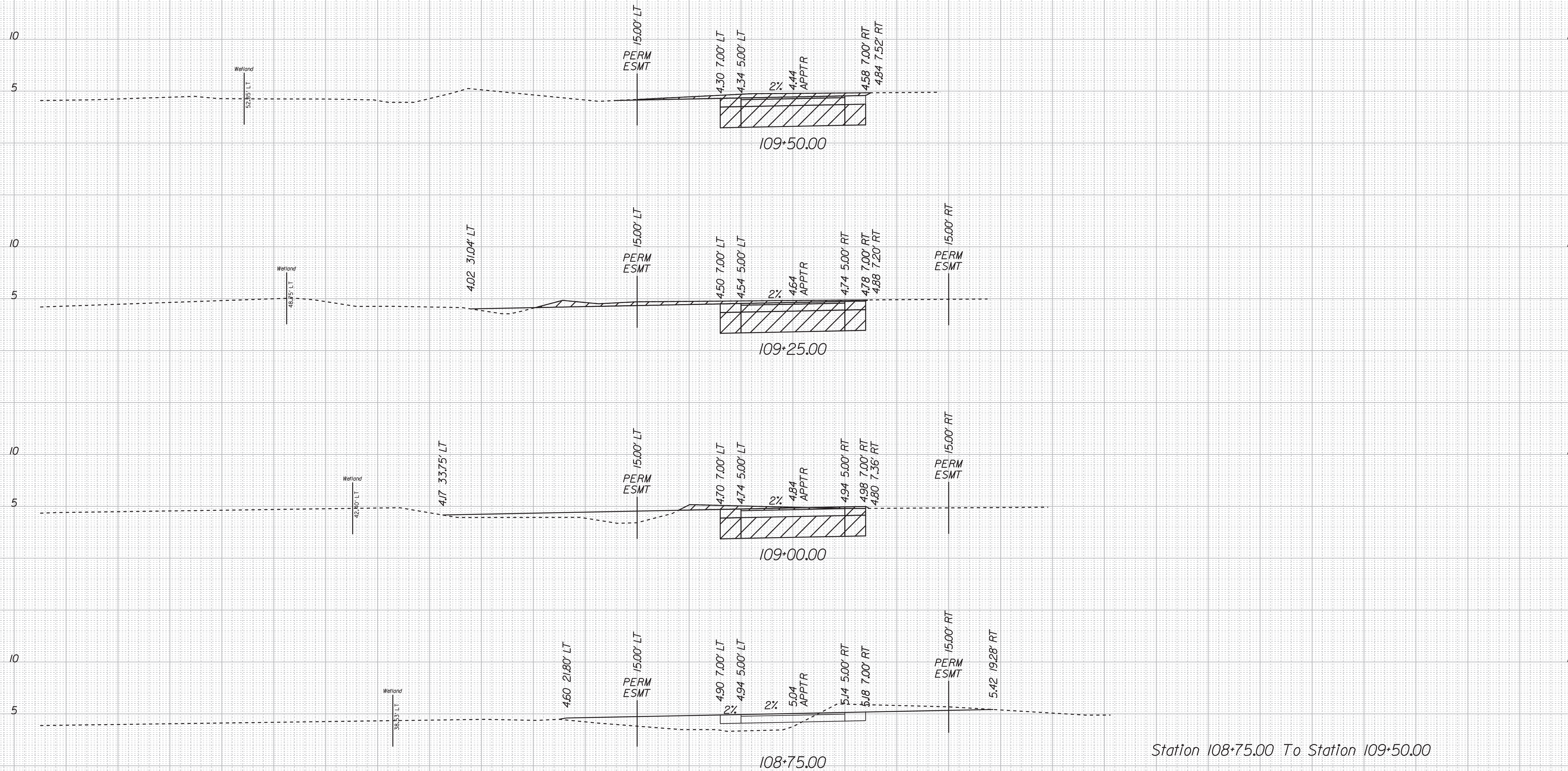
UNSUITABLE SOIL UNDERCUT

CROSS SECTIONS

SCALE 1 IN. = 5 FT



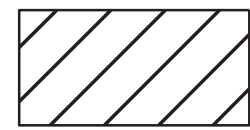
APPOMATTOX TRAIL



Station 108+75.00 To Station 109+50.00

5/18/2023
I:\Projects\1500761-200-Appomattox Trail Phase 5\CAD\075333\Sheets\0753301_A.dgn

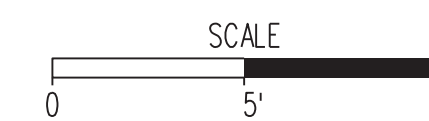
PROJECT NAME 107533	SHEET NO. 9
------------------------	----------------



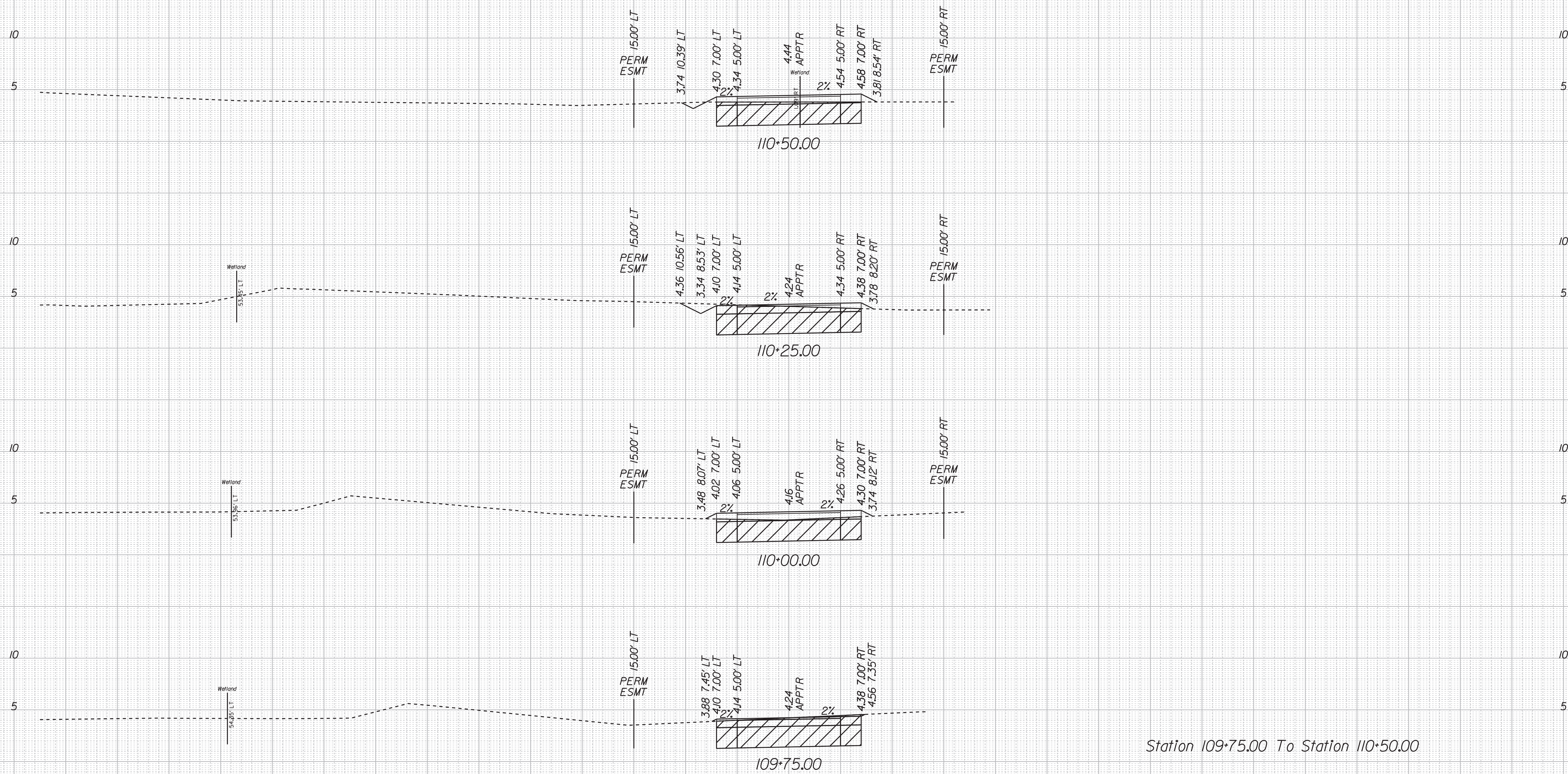
UNSUITABLE SOIL UNDERCUT

CROSS SECTIONS

SCALE 1 IN. = 5 FT



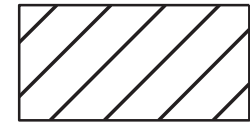
APPOMATTOX TRAIL



Station 109+75.00 To Station 110+50.00

PROJECT NAME
107533

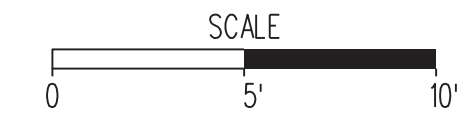
SHEET NO.
10



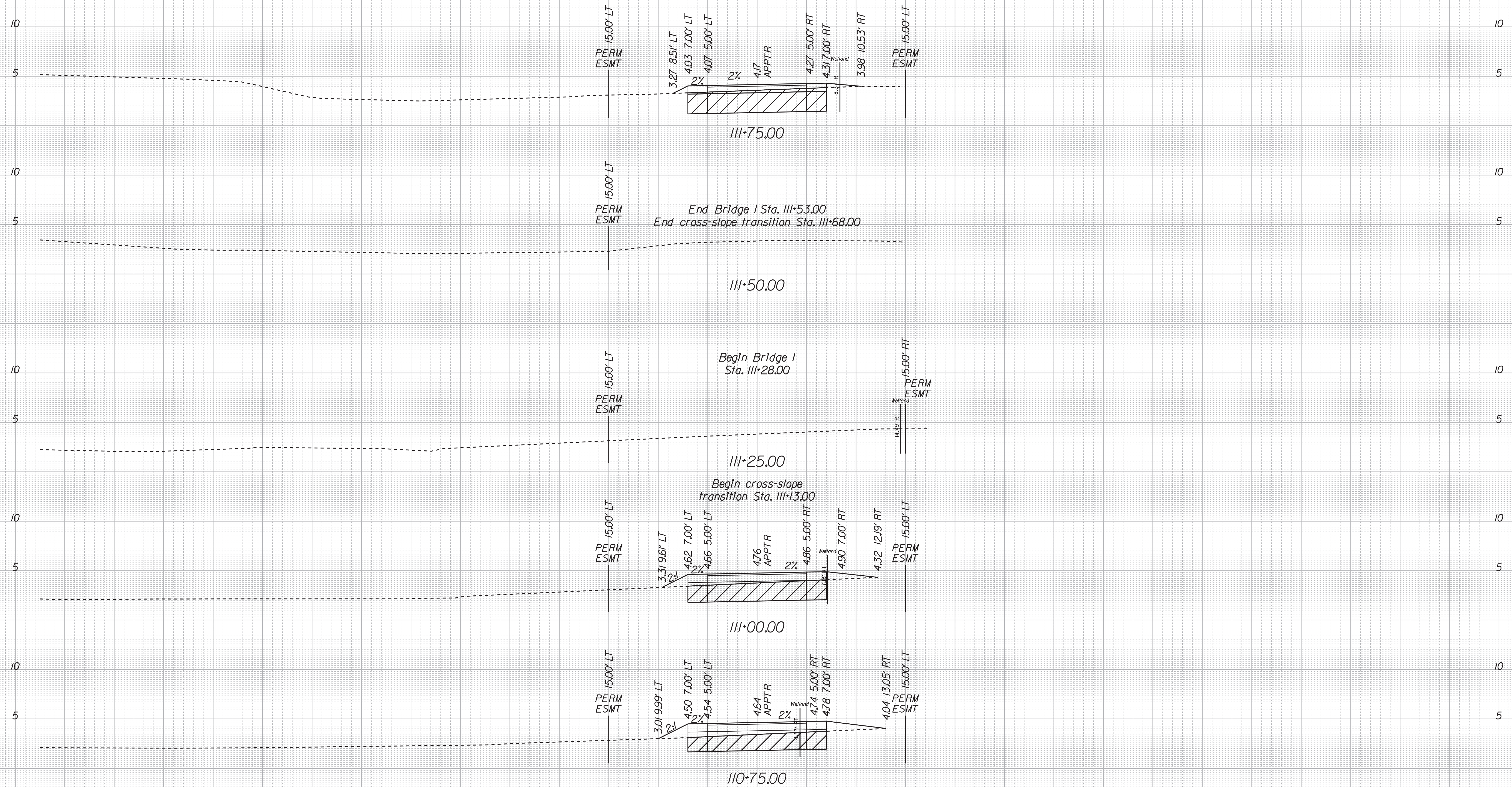
UNSUITABLE SOIL UNDERCUT

CROSS SECTIONS

SCALE 1 IN. = 5 FT



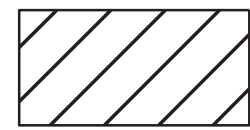
APPOMATTOX TRAIL



Station 110+75.00 To Station 111+75.00

5/18/2023
I:\Projects\1500761-200-Appomattox Trail Phase 5\CADD\075333Sheets\0753301-A.dgn

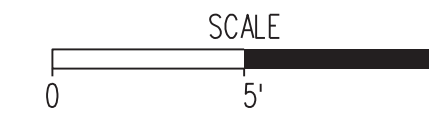
PROJECT NAME 107533	SHEET NO. 11
------------------------	-----------------



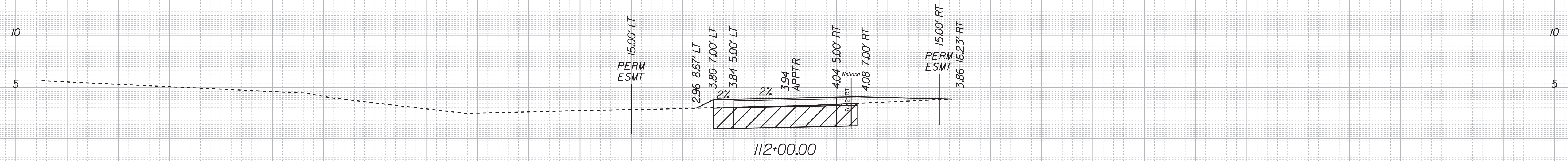
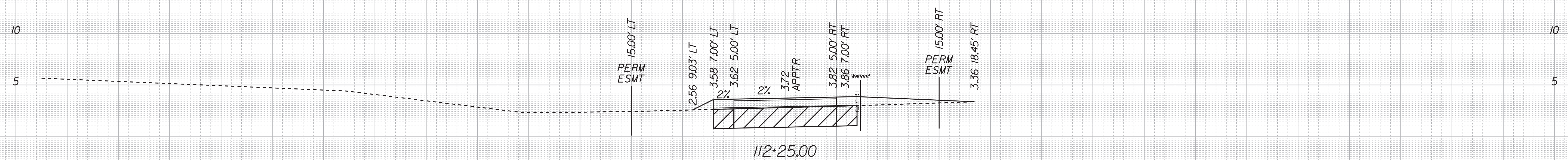
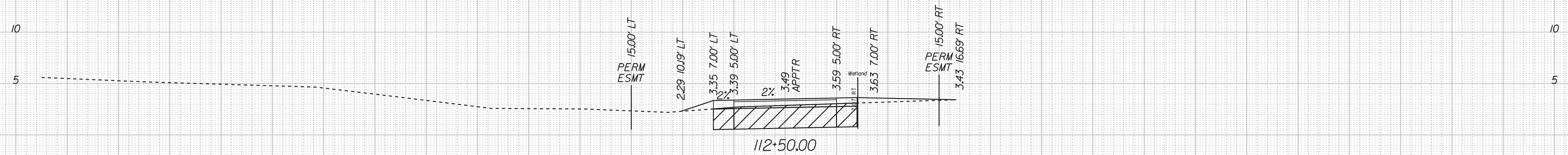
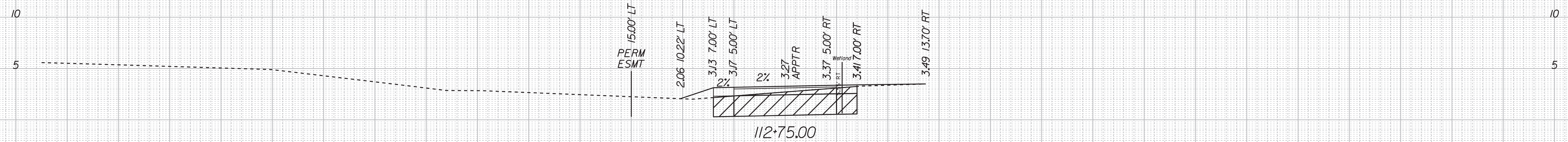
UNSUITABLE SOIL UNDERCUT

CROSS SECTIONS

SCALE 1 IN. = 5 FT



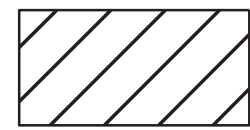
APPOMATTOX TRAIL



Station 112+00.00 To Station 112+75.00

5/18/2023 I:\Projects\1500761-200-Appomattox Trail Phase 5\CADD\107533\Sheets\10753301_A.dgn

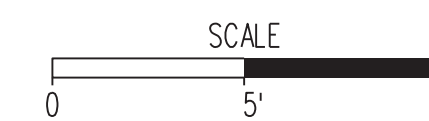
PROJECT NAME	107533
SHEET NO.	12



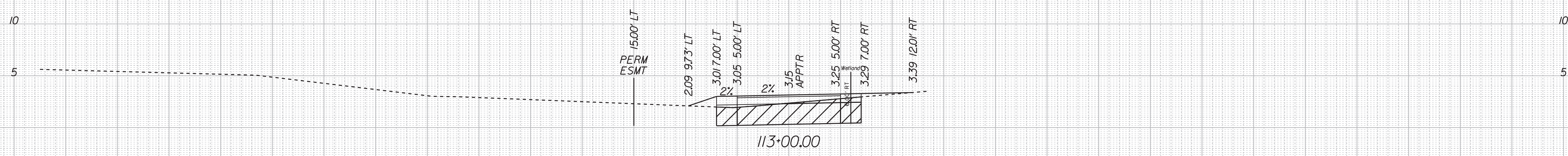
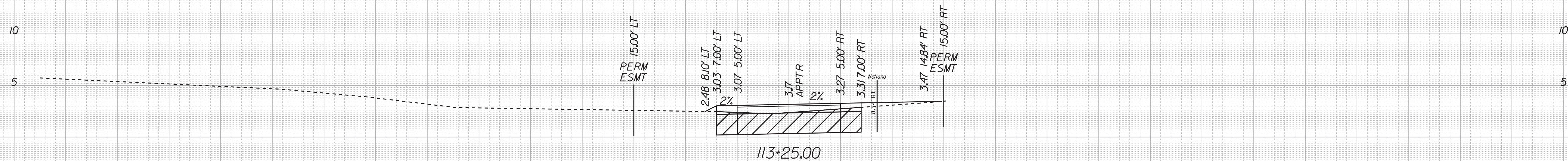
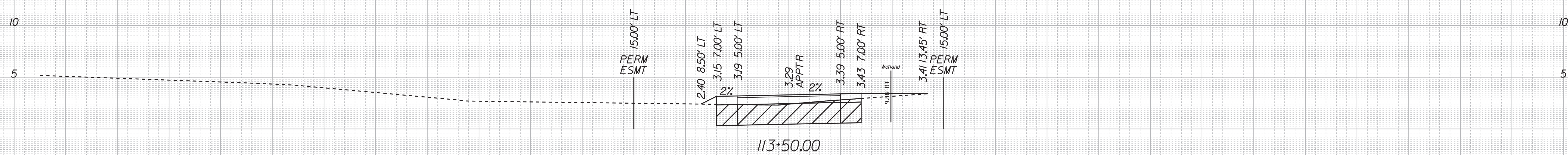
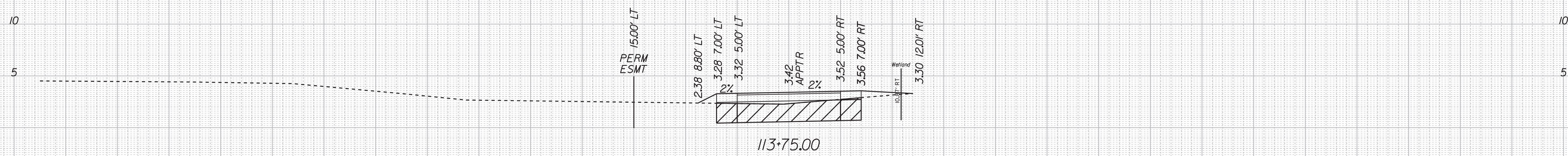
UNSUITABLE SOIL UNDERCUT

CROSS SECTIONS

SCALE 1 IN. = 5 FT



APPOMATTOX TRAIL

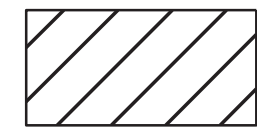


Station 113+00.00 To Station 113+75.00

5/18/2023
I:\Projects\1500761-200-Appomattox Trail Phase 5\CAD\075335\Sheets\0753301_A.dgn

PROJECT NAME
107533

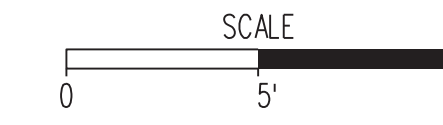
SHEET NO.
13



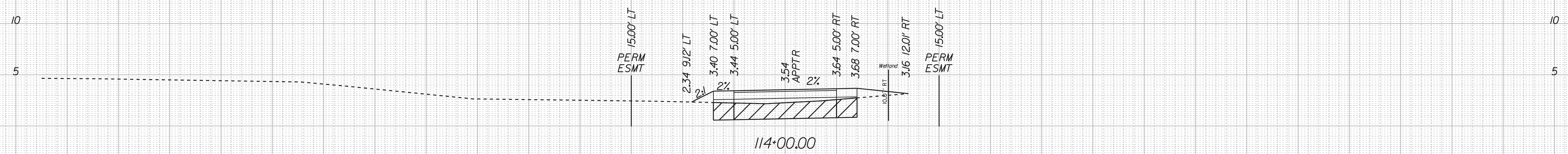
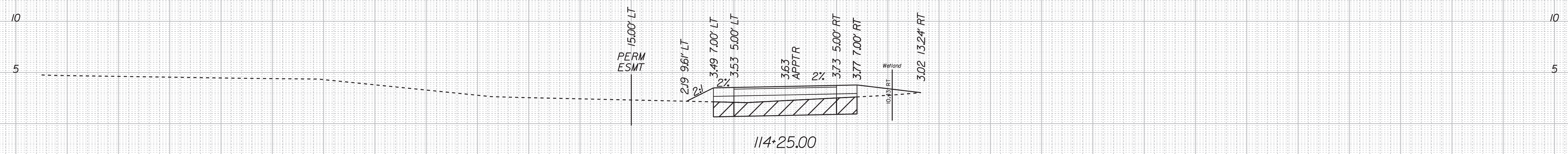
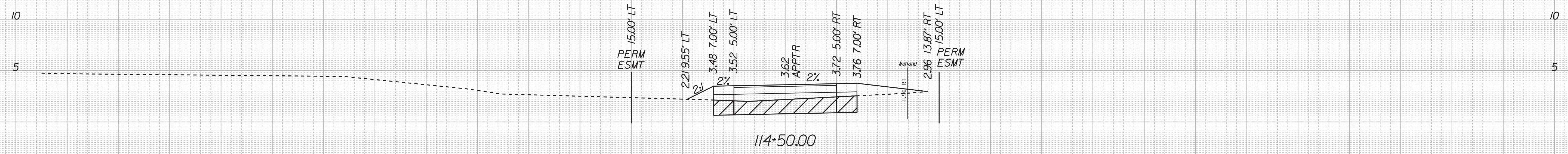
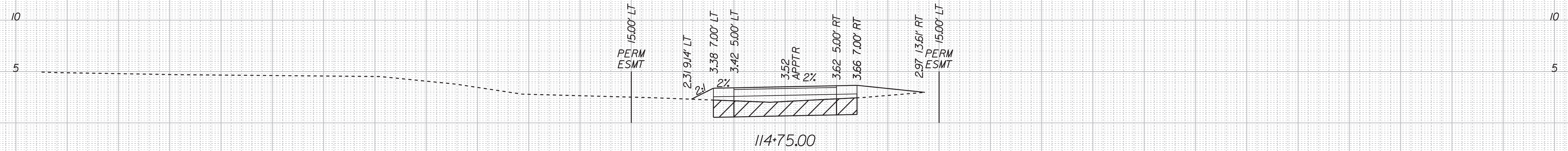
UNSUITABLE SOIL UNDERCUT

CROSS SECTIONS

SCALE 1 IN. = 5 FT



APPOMATTOX TRAIL



Station 114+00.00 To Station 114+75.00

5/18/2023 I:\Projects\1500761-200-Appomattox Trail Phase 5\CAD\07533\Sheets\0753301_A.dgn

PROJECT NAME	SHEET NO.
107533	14